



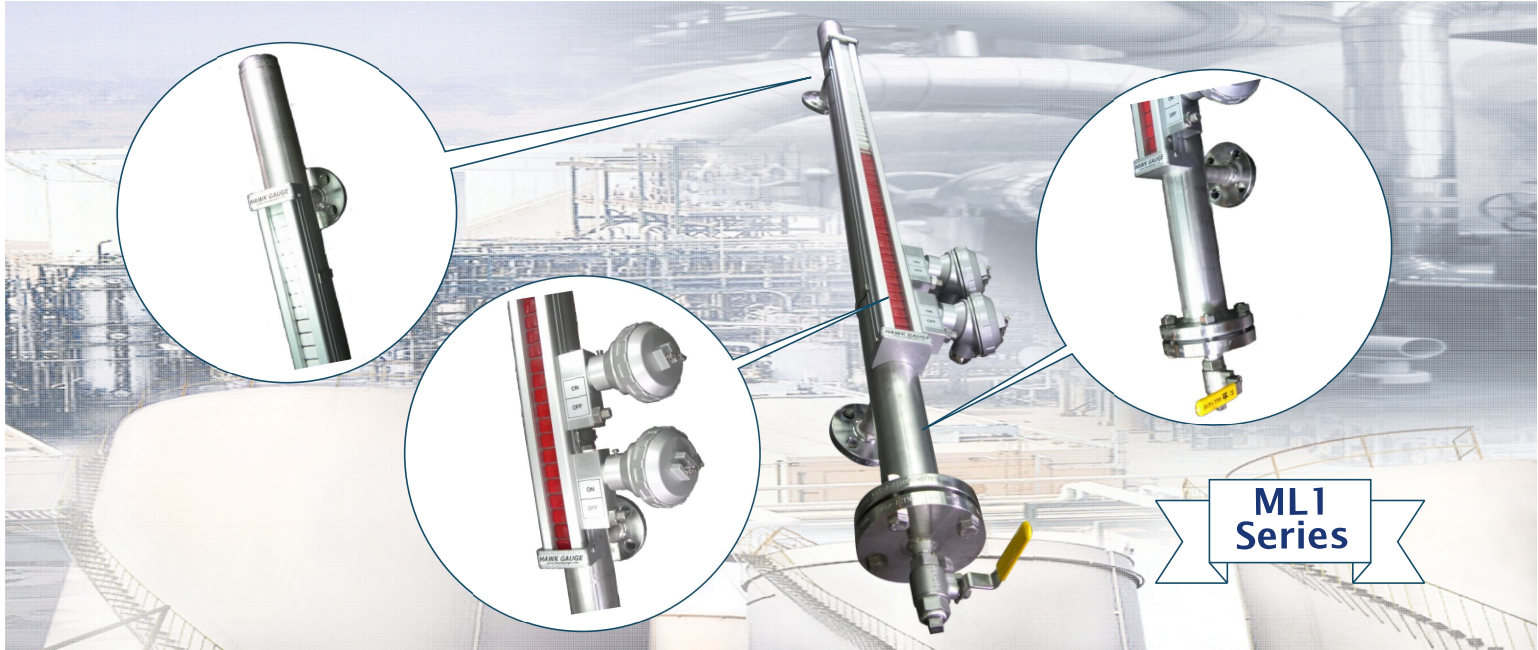
HAWK

Since 1971

Level Indicator for Liquids By-Pass Magnet Type



P-5A



**ML1
Series**

- **Visual Display for continuous liquid level measurement**
- **Rugged construction and reliable performance for long operation**
- **Simple, robust, Easy installation and maintainability**
- **Wide applications for the corrosive and high viscous media**

The HAWK model ML1 bypass level indicator is designed to be installed outside of a vessel or tank for the level measurement. It consists of a bypass chamber, magnet float and display roller. The float mounted within the bypass chamber can corresponds to the level in the tank. The magnetic roller will turn and change the red/white color to reveal the level of the liquid in the tank through the permanent magnet attraction system. It is available in various threads or flanges mounting. A level transmitter and magnetic switches can be installed in options.

Typical Application

- Water heater and boiler
- Dairy processing
- Textile dyeing processing
- Power generating stations
- Offshore oil platforms
- Fuel and oil Tank
- Water treatment factory
- Chemical and petrochemical processing
- Food, beverage and pharmaceutical industry

Specifications

Max Pressure Resistance:
Stainless Steel-Standard 30 Bar

Operation Temperature:
Stainless Steel-Max 390°C

Bypass Chamber:
2" Size pipe

Body Material:
SS304(390), SS316(390), PP(80),
PVDF(120)

Chamber End Top:
Flat, Vent Plug G1/2", Vent Valve
Vent Flange

Chamber End Bottom:
Flat Drain Plug G1/2", Drain Valve
Drain Flange

Float Material:
SS304 or SS316

Seal Matreial:
NBR, PTFE or Graphite

Center to Center Distance:
Min 150mm to Max 4000mm

Flange Material:
SS304 or SS316

Process connection:
ANSI Flange 1 1/2".....5",
DIN Flange DN15.....DN200,
JIS Flange 15A.....63A

Process Rating:
ANSI Flange 150LB.....600LB
DIN Flange PN2.5.....PN40

JIS Flange 5K.....40K

Head&Conduit:
Casting aluminum
1/2" or 3/4"NPT, PF, M20*1.5

Contact Capacity:
250VAC/2A/70W-Max
200VDC/0.5A/10W-Max

Flag Display:
Engineering Plastics,
Red/White

Mounting:
Side or Tank Top



HAWK

Since 1971

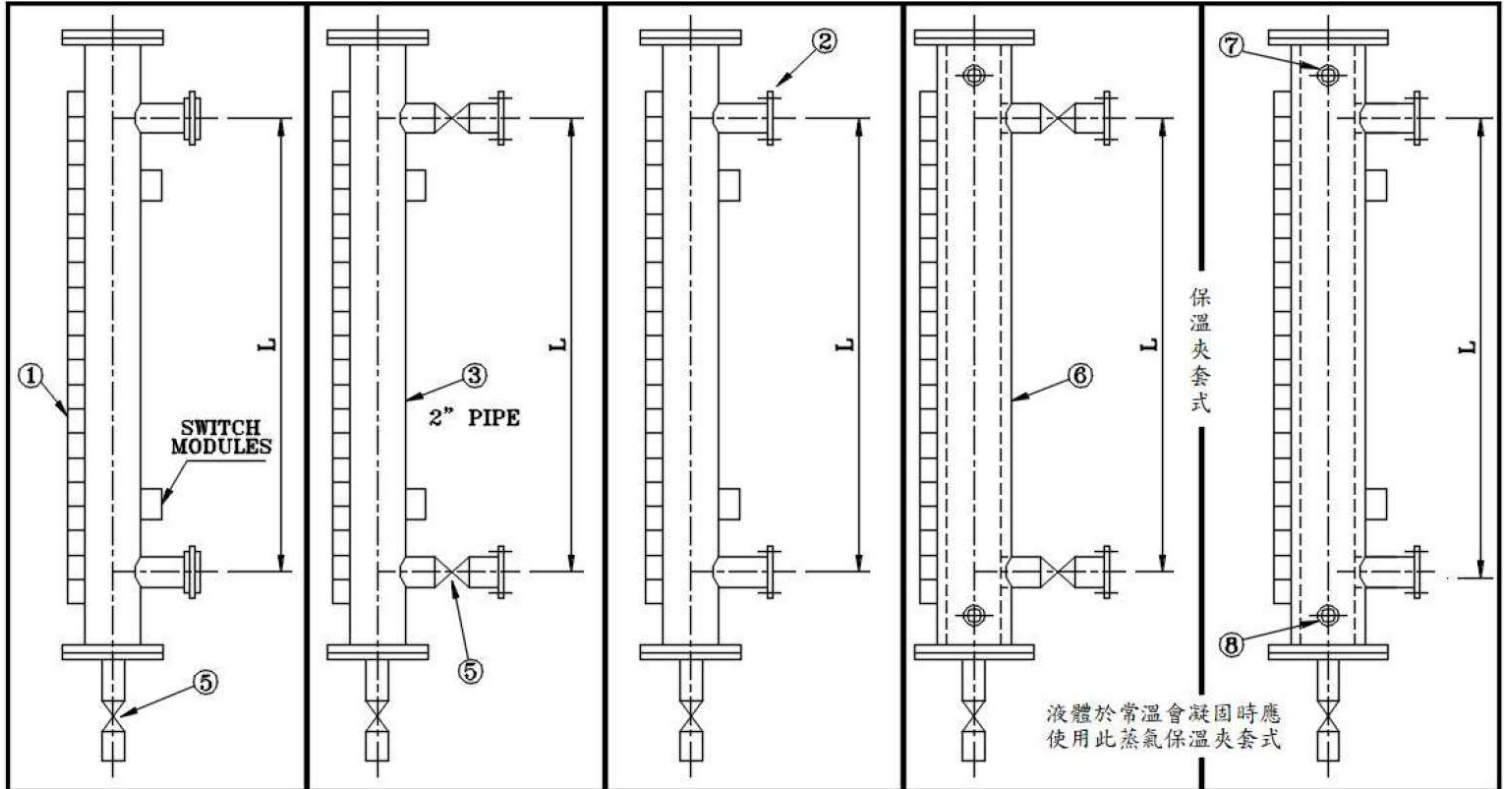
Level Indicator for Liquids

By-Pass Magnet Type



P-5A

Dimensions



A-type

B-type

C-type

D-type

E-type



HAWK
Since 1971

Level Indicator for Liquids

By-Pass Magnet Type

P-5A

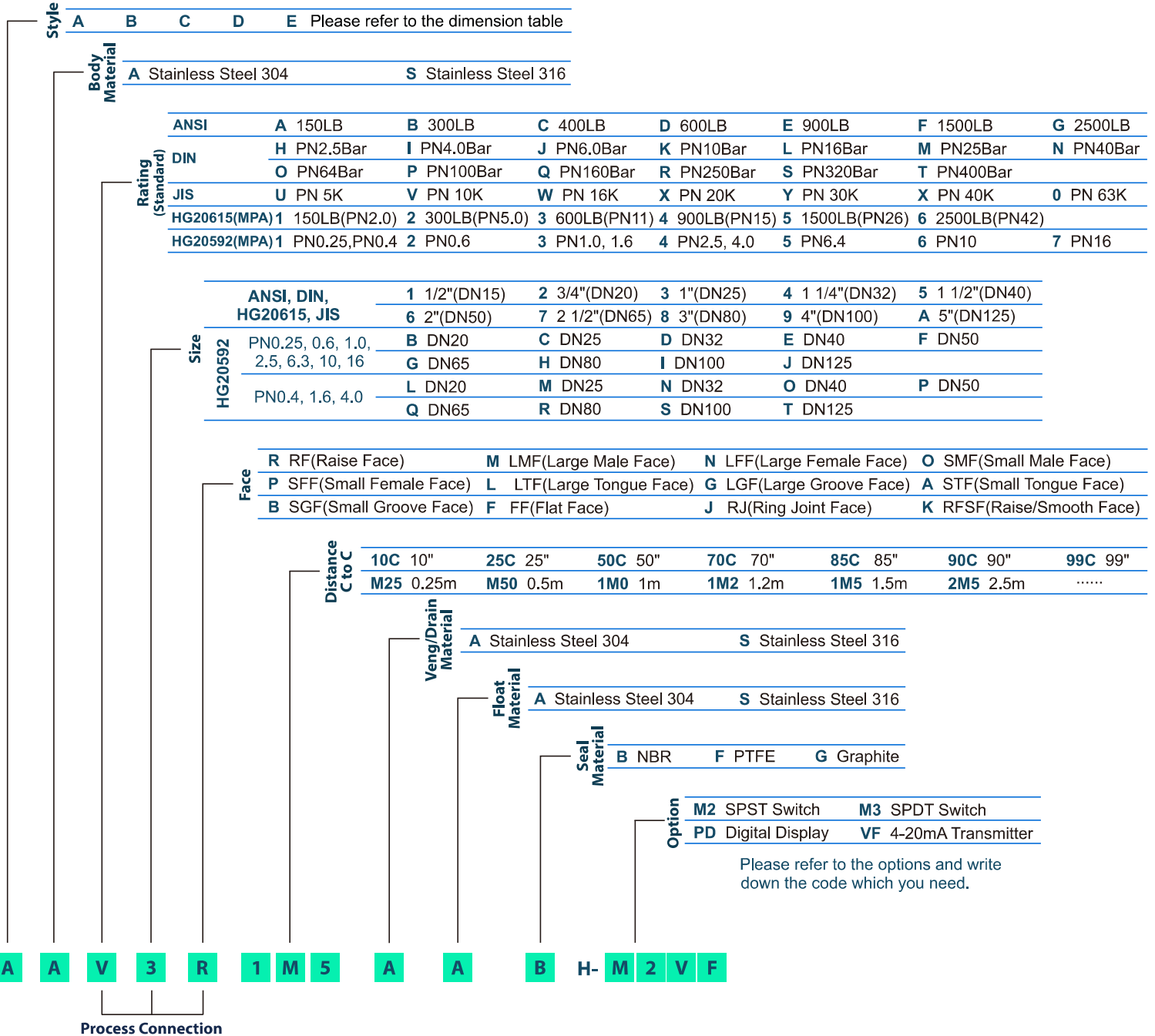


Order Information

Example:

Process Connection

Style **A** Body **A** Rating **V** Size **3** Face **R** Distance **1 M 5** Veng/Drain **A** Float **A** Seal **B** H- **M 2 V F**





HAWK

Since 1971

Level Indicator for Liquids By-Pass Magnet Type



P-5A

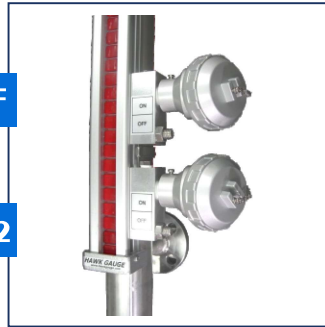
Options

4-20mA Transmitter

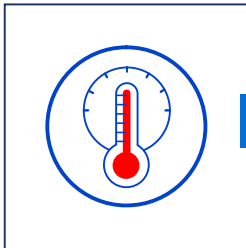
VF

SPST Switch

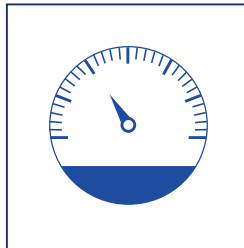
M2



M3 SPDT Switch



ZN Complied to NACE

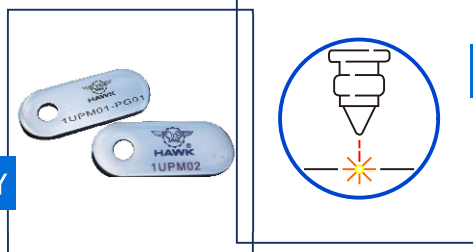


AA Pneumatic Pressure Testing

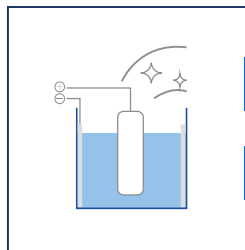
AB Hydrostatic Pressure Testing

Stainless Steel Tag Plate

ZY



0Q Customized Laser Mark



AC Chrome Plating

AE Electropolishing

FCFC Painting

0J



TD PTFE Coating



HAWK
Since 1971

Level Indicator for Liquids

By-Pass Magnet Type



P-5A

Limited Warranty and Liability

HAWK GAUGE CO.,LTD warrants all its mechanical instruments to be free from defects in materials and workmanship. HAWK agrees to repair or replace any thermometers if returned to our factory, transportation charges prepaid, and after which examination reveals is to be defective due to faculty workmanship or material.

This warrant should not apply to subject to the following terms and conditions:

- A. The product has not been subjected to misuse, neglect, abuse , accident, incorrect mounting, improper use or misapplication such as negligence, accident, vandalism, shock or vibration.
- B. The performance of any system of which HAWK's products are a component part.
- C. The product has not been exposed to any other service, range or environment of greater severity than that for which the products were designed.
- D. The product has not been altered or repaired by anyone except HAWK GAUGE or its authorized service agencies.
- E. The serial number or date code has not been removed, defaced or changed.
- F. The actual pressure&temperature occurring exceed the values specified for HAWK Thermometer.

Unless otherwise specified in a manual or warranty card, or agree to in a writing signed by HAWK GAUGE office, HAWK Thermometer products shall be warranted for one years from the date of sale.

This warranty is in lieu of all other warranties expressed or implied, and of all obligations or liabilities on its part for damages including but not limited to consequential damages, following the use of misuse of instruments sold by it. No agent is authorized to assume for it any liability except as set forth above.

Note

HAWK GAUGE CO.,LTD reserves the right to make product improvements and change its specifications at any time stated throughout this brochure without notification. Please contact the factory on all critical dimensions and specifications for verification.

HAWK GAUGE is not expert in the customer's technical field and therefore doesn't warrant suitability of it's product for the application selected by customer.



1971 - 2022

Data Sheet No: MKDP5AML1A1-E