



# OEM Bimetal Thermometer Pocket Testing

P-3A

- SS construction sensing
- Pocket and small sized for easy installation
- Pocket sheath
- Hermetically sealed case
- Easy and quick testing and spot checking

HAWK BP series pocket testing thermometer is ideal to check the temperature in food service, refrigeration and HVAC system, and Industrial OEM applications by inspectors and technicians.

Our bimetal thermometers are welded all stainless steel construction and are hermetically sealed. These instruments are leak tested completely to insure the integrity of the joints in the process of producing. HAWK Supplies a wide selection of the available temperature ranges from -50°C to 300°C or equivalent in °F. The 1" smaller size gauges are used whenever space limitations exist.



BP  
Series

## Typical Application

- Food and beverage processing
- Asphalt industry
- Refrigeration and HVAC systems
- Industrial OEM equipments

## Specification

### Operating:

The temperature of the case should not be allowed to be exposed to continuous temperature in excess of 200°F (95°C). If silicone filled, the temperature limit is 150°F (65°C). Stem and bulb should not be contact with sustained process temperature exceeding 50% over-range or 800°F (425°C).

### Immersion:

For getting the correct temperature readings, the stem of all models in all ranges must be immersed 2" deep in liquid, and 4" deep in gas except for 0/50°C (32/122°F) which require 3" deep in liquid, and 4" deep in gas.

### Size:

1"(28mm)

### Case:

Stainless Steel 304

### Stem:

304 Stainless Steel, 4mm diameter

### Dial Face:

Aluminum, white background with black graduations and figures

### Sensing Element:

Bimetallic Coil

### Window:

Plastic

### Weatherproof:

NEMA 4 or IP65 enclosure

### Pointer:

Anodized aluminum with black or red finish

### Accuracy:

± 1.0% of span  
(Grade A to ASME B40.3)

### Scale:

°C, °F (single or dual scale)

### Stem Length:

5" standard lengths, other stem lengths on request

### Connection:

Plain



# OEM Bimetal Thermometer Pocket Testing

P-3A

## Temperature Range

- The other scales and ranges(DIN) are available in request.
- Not all listed ranges and scales are in stock, consult your distributors for available.

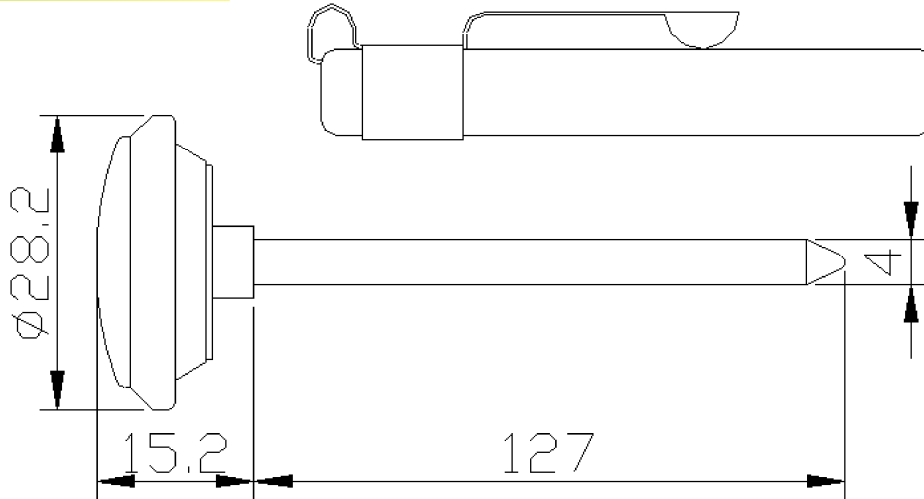
Temperature Ranges					
SINGLE SCALE				DUAL SCALE	
°C		°F		°C / °F	
Code	Range	Code	Range	Code	Range
C3A	-30/30	F7A	-40/70	D3A	-30/30
C4A	-20/40	F10	0/100	D4A	-20/40
C5	0/50	F10A	-100/100	D5	0/50
C5A	-50/50	F12A	-20/120	D5A	-50/50
C6	0/60	F12C	-40/120	D6	0/60
C6B	-20/60	F12D	-80/120	D6B	-20/60
C7A	-40/70	F12G	25/125	D7A	-40/70
C7B	-70/70	F14	0/140	D7B	-70/70
C8	0/80	F15	0/150	D8	0/80
C10	0/100	F15A	-70/150	D10	0/100
C10A	-50/100	F16A	-40/160	D10A	-50/100
C11A	-10/110	F18B	-40/180	D11A	-10/110
C12	0/120	F20	0/200	D12	0/120
C12A	-20/120	F20B	-40/200	D12A	-20/120
C12C	-60/120	F20C	-100/200	D12C	-60/120
C15	0/150	F22	0/220	D15	0/150
C15B	50/150	F24A	20/240	D15B	50/150
C15C	10/150	F25	0/250	D15C	10/150
C16	0/160	F30	0/300	D16	0/160
C16A	-40/160	F30A	-50/300	D16A	-40/160
C20	0/200	F30C	50/300	D20	0/200
C20A	-50/200	F30D	200/300	D20A	-50/200
C22A	-20/220	F40A	50/400	D22A	-20/220
C22B	-80/220	F50	0/500	D22B	-80/220
C25	0/250	F50A	50/500	D25	0/250
C30	0/300	F55A	50/550	D30	0/300
C40	0/400	F60	0/600	D40	0/400
C40A	50/400	F75A	50/750	D40A	50/400
C45	0/450	F75C	150/750	D45	0/450
C50	0/500	F80A	100/800	D50	0/500
C50A	100/500	F100A	200/1000	D50A	100/500
C55A	100/550	F120	0/1200	D55A	100/550



# OEM Bimetal Thermometer Pocket Testing

P-3A

## Dimensions



## Order Information

Example:

P-3A-BP **B** **10** **0** **P** **006** **150** **C10**

Style **B** Back

Dial **10** 1"(28mm)

Connection Style **P** Plain No Thread    **L** Others

Stem Diameter	C25	1/4"	C32	5/16"	C38	3/8"	006	6mm	008	8mm	010	10mm	012	12mm	.....
Stem Length	<b>2C5</b>	2.5"	<b>04C</b>	4"	<b>06C</b>	6"	<b>09C</b>	9"	<b>12C</b>	12"	<b>16C</b>	16"	<b>24C</b>	24"	
	<b>075</b>	75mm	<b>100</b>	100mm	<b>150</b>	150mm	<b>200</b>	200mm	<b>250</b>	250mm	.....				

Temperature Range  
Please refer to the range table and write down the code you need.  
Celsius    Fahrenheit

**B** **10** **0** **P** **006** **150** **C10**

Process Connection



# OEM Bimetal Thermometer Pocket Testing

P-3A

## Limited Warranty and Liability

HAWK GAUGE CO.,LTD warrants all its mechanical instruments to be free from defects in materials and workmanship. HAWK agrees to repair or replace any thermometers if returned to our factory, transportation charges prepaid, and after which examination reveals is to be defective due to faculty workmanship or material.

This warrant should not apply to subject to the following terms and conditions:

- A. The product has not been subjected to misuse, neglect, abuse , accident, incorrect mounting, improper use or misapplication such as negligence, accident, vandalism, shock or vibration.
- B. The performance of any system of which HAWK's products are a component part.
- C. The product has not been exposed to any other service, range or environment of greater severity than that for which the products were designed.
- D. The product has not been altered or repaired by anyone except HAWK GAUGE or its authorized service agencies.
- E. The serial number or date code has not been removed, defaced or changed.
- F. The actual pressure&temperature occurring exceed the values specified for HAWK Thermometer.

Unless otherwise specified in a manual or warranty card, or agree to in a writing signed by HAWK GAUGE office, HAWK Thermometer products shall be warranted for one years from the date of sale.

This warranty is in lieu of all other warranties expressed or implied, and of all obligations or liabilities on its part for damages including but not limited to consequential damages, following the use of misuse of instruments sold by it. No agent is authorized to assume for it any liability except as set forth above.

## Note

HAWK GAUGE CO.,LTD reserves the right to make product improvements and change its specifications at any time stated throughout this brochure without notification. Please contact the factory on all critical dimensions and specifications for verification.

HAWK GAUGE is not expert in the customer's technical field and therefore doesn't warrant suitability of it's product for the application selected by customer.



Data Sheet No: MKDP3ABPA1-E