



**61L, 61B  
Series**



- Low Cost
- Range from 6 inH<sub>2</sub>O to 15 PSI including Vacuum and Compound Range
- Steel case with black enamel or chrome plated
- Capsule Actuated System
- For use with gases which does not corrode copper alloy

HAWK 61L and 61B series capsule system pressure gauges are designed to measure low pressure from 6 inH<sub>2</sub>O to 15 PSI. These use a diaphragm capsule as its sensing element. The sensing element consists two half capsules which are soldered together. The diaphragm capsule element expands by subjecting to pressure. The expansion is converted into the rotary motion of the pointer by a movement. This motion makes users read the scale easily. The wetted parts can be in beryllium copper or brass.

## Typical Application

- Medical and pharmaceutical industry
- Industrial OEM equipments
- Low pressure pneumatic systems
- Gas decetor

## Specifications

### Operating

Steady: 100%\*full scale value

Sudden: 130%\*full scale value

All HAWK capsule low pressure gauge are with over-range protection up to 1.3 times of full scale value. Special design for high over-pressure(5 times) protection on request. HAWK Supplies a wide selection of range from 6 inH<sub>2</sub>O to 15 PSI including vacuum and compound range.

### Temperature limit

Ambient: -40 to 60°C

Winder range request, please consult the factory.

Media: max 60°C -Copper

Winder range request, please consult the factory.

### Temperature effect

Accuracy of measurement will be effected by the temperature change. This inaccuracy may as high as 0.3% for 10 °C temperature change.

### Dial Size

2½"(63mm)

### Case&Ring

Steel Case with black enamel (chrome plated on request)

### Socket

Brass(chrome plated on request)

### Movement

Brass movement with overload and underload stops

### Capsule Element

Beryllium Copper or Bronze

### Window

Polycarbonate.....2½"

### Pointer

Anodized aluminum with black finish

### Accuracy

±3-2-3% of span(2-1-2%-option), (Grade B to ASME B40.1)

### Zero-Adjustment

Adjustable screw on dial

### Scale

PSI, kPa, mmH<sub>2</sub>O, mbar, inH<sub>2</sub>O, oz./in<sup>2</sup> (single or dual scale)

### Connection

1/8", 1/4" NPT standard, JIS, DIN available

### Mounting

Stem mounting

### Weatherproof

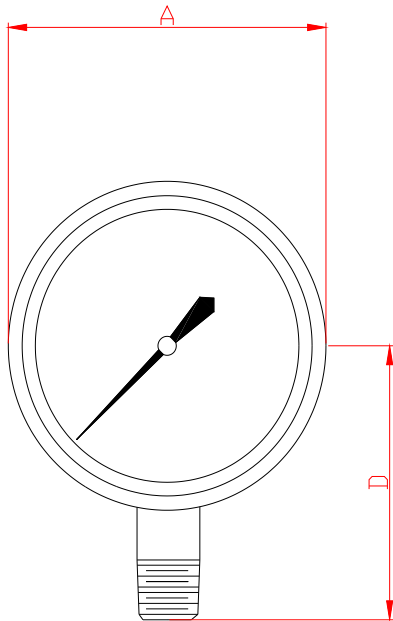
NEMA 2(IP43) enclosure

## Option

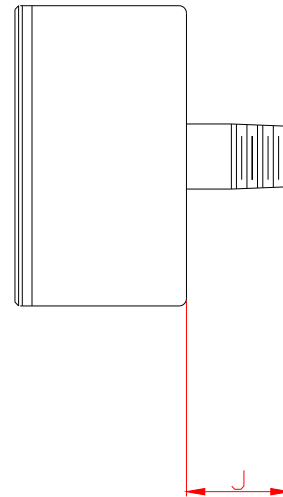
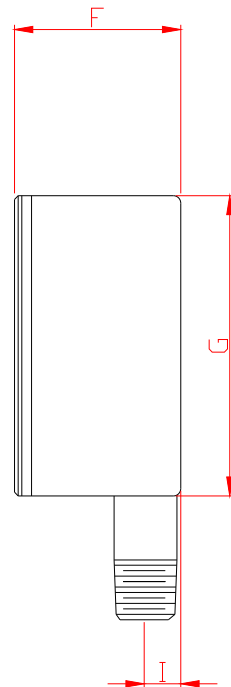
U-U-clamp

X-Clean for oxygen service(USE NO OIL)

## Dimensions



**61L(Bottom Connection)**



**61B(Center Back Connection)**

Dimensions, in.(mm)

Type No	Dial Size	A	B	C	D	E	F	G	I	J	K	L	Weight
61L	2.5"	2.62" (66.5)			2.36" (60)		1.57" (40)	2.56" (65)	0.28" (7)				0.23-0.28 Kg
61B	2.5"	2.62" (66.5)					1.57" (40)	2.56" (65)		0.91" (23)			0.23-0.28 Kg

### Pressure Range

- The other scales and ranges(DIN) are available in request.
- Not all listed ranges and scales are in stock, consult your distributors for available.

#### Pressure Ranges

SINGLE SCALE					DUAL SCALE								
PSI		Mbar		Kpa		mmH2O		inH2O		mbar & mmH2O		oz./in2. & inH2O	
Code	Range	Code	Range	Code	Range	Code	Range	Code	Range	Code	Range	Code	Range
P25	3	B17	16	K14	1.6	H14	160	J14	10	Q22	16 mbar/mmH2O	F27	6 oz./in2./inH2O
P28	5	B18	20	K16	2.5	H15	200	J15	15	Q23	20 mbar/mmH2O	F271	9 oz./in2./inH2O
P31	10	B19	25	K19	4.0	H16	250	J16	20	Q26	40 mbar/mmH2O	F28	12 oz./in2./inH2O
P32	15	B20	30	K20	5.0	H17	300	J19	30	Q28	60 mbar/mmH2O	F29	20 oz./in2./inH2O
		B21	40	K21	6.0	H19	400	J22	60	Q30	100 mbar/mmH2O	F30	30 oz./in2./inH2O
		B22	50	K23	10	H20	500	J24	100	Q32	200 mbar/mmH2O	F301	35 oz./in2./inH2O
		B23	60	K24	16	H21	600	J25A	160	Q33	250 mbar/mmH2O	F31	60 oz./in2./inH2O
		B24	100	K25	20	H23	1000	J26	200	Q35	400 mbar/mmH2O	F32	100 oz./in2./inH2O
		B26	160	K26	25	H25	1600			Q37	600 mbar/mmH2O	F33	160 oz./in2./inH2O
		B27	200	K27	30	H26	2000			Q39	1000 mbar/mmH2O	F34	250 oz./in2./inH2O

#### Vacuum Ranges

SINGLE SCALE				DUAL SCALE							
Mbar		Kpa		mmH2O		inH2O		mbar & mmH2O		oz./in2. & inH2O	
Code	Range	Code	Range	Code	Range	Code	Range	Code	Range	Code	Range
BVH	-16	KVE	-1.6	HVM	-160	JVE	-10	QVH	-16 mbar/mmH2O	FVR	-6 oz./in2./inH2O
BVL	-40	KVJ	-4.0	HVO	-400	JVG	-20	QVL	-40 mbar/mmH2O	FVT	-20 oz./in2./inH2O
BVO	-100	KVN	-10	HVQ	-1000	JVM	-60	QVO	-100 mbar/mmH2O	FVV	-60 oz./in2./inH2O
BVW	-600	KVV	-60	HVR	-6000	JVO	-100	QVW	-600 mbar/mmH2O	FVW	-100 oz./in2./inH2O
BVX	-1000	KVX	-100	HVS	-10000	JVQ	-200	QVX	-1000 mbar/mmH2O	FVY	-250 oz./in2./inH2O

#### Compound Ranges

SINGLE SCALE				DUAL SCALE					
Mbar		Kpa		mmH2O		inH2O		mbr & mmH2O	
Code	Range	Code	Range	Code	Range	Code	Range	Code	Range
BCQ	-6/10	KCQ	-1.25/1.25	HCN	-60/100	JCF	-1/1	QCP	-5/5 mbar/mmH2O
BCS	-10/10	KCU	-2.0/2.0	HCP	-100/100	JCM	-10/10	QCS	-10/10 mbar/mmH2O
BOC	-50/50	KOB	-5.0/5.0	HCY	-500/500	JCQ	-50/50	QOD	-50/50 mbar/mmH2O
BOF	-100/100	KOK	-20/20	HOB	-1000/1000	JCR	-100/100	QOG	-100/100 mbar/mmH2O
BOP	-500/500	KOP	-50/50	HOJ	-5000/5000	JCT	-200/200	QOQ	-500/500 mbar/mmH2O

### Order Information

Example:

Series	Model	Dial	Wetted Parts	Process Connection	Pressure Range	Option
<b>P - 1D - 61</b>	<b>L</b>	<b>25</b>	<b>B</b>	<b>4</b>	<b>Q 3 0</b>	<b>H- X</b>
	L- Lower (Bottom) Connection	25-2.5" (63mm)	B-Brass	4-1/4"NPT 8-1/8"NPT 7-7/16"UNF 9-9/16"UNF	Please refer to the range table and write down the code you need.	X-Clean for oxygen service(USE NO OIL)
	B- Lower Back Connection			E-G1/4 B-R1/4 K-M14*1.0 L-Others	Vacuum Compound Pressure	

## Limited Warranty and Liability

HAWK GAUGE CO.,LTD warrants all its mechanical instruments to be free from defects in materials and workmanship. HAWK agrees to repair or replace any pressure gauges if returned to our factory, transportation charges prepaid, and after which examination reveals is to be defective due to faculty workmanship or material.

This warrant should not apply to subject to the following terms and conditions:

- A.** The product has not been subjected to misuse, neglect, abuse , accident, incorrect mounting, improper use or misapplication such as negligence, accident, vandalism, shock or vibration.
- B.** The performance of any system of which HAWK's products are a component part.
- C.** The product has not been exposed to any other service, range or environment of greater severity than that for which the products were designed.
- D.** The product has not been altered or repaired by anyone except HAWK GAUGE or its authorized service agencies.
- E.** The serial number or date code has not been removed, defaced or changed.
- F.** The actual pressure&temperature occurring exceed the values specified for HAWK Process gauge.

Unless otherwise specified in a manual or warranty card, or agree to in a writing signed by HAWK GAUGE office, HAWK Process gauge products shall be warranted for one years from the date of sale.

This warranty is in lieu of all other warranties expressed or implied, and of all obligations or liabilities on its part for damages including but not limited to consequential damages, following the use of misuse of instruments sold by it. No agent is authorized to assume for it any liability except as set forth above.

## Note

HAWK GAUGE CO.,LTD reserves the right to make product improvements and change its specifications at any time stated throughout this brochure without notification. Please contact the factory on all critical dimensions and specifications for verification.

HAWK GAUGE is not expert in the customer's technical field and therefore doesn't warrant suitability of it's product for the application selected by customer.

